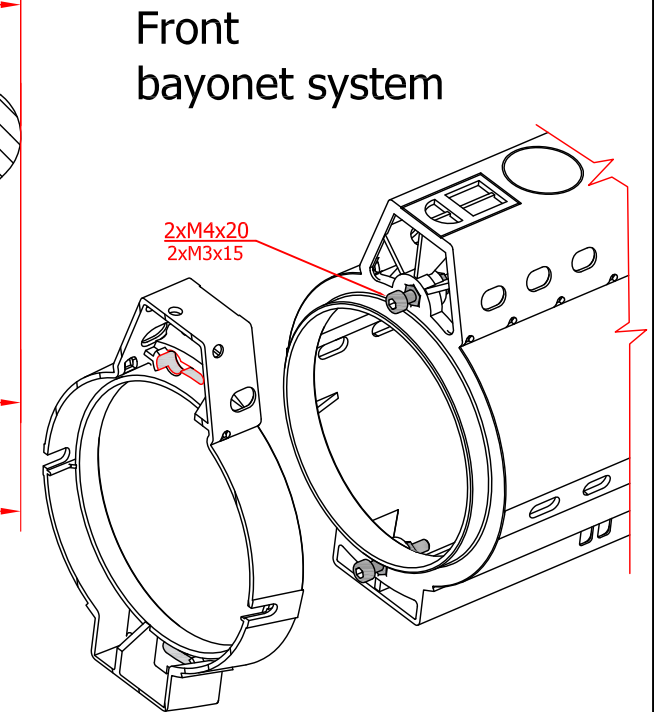
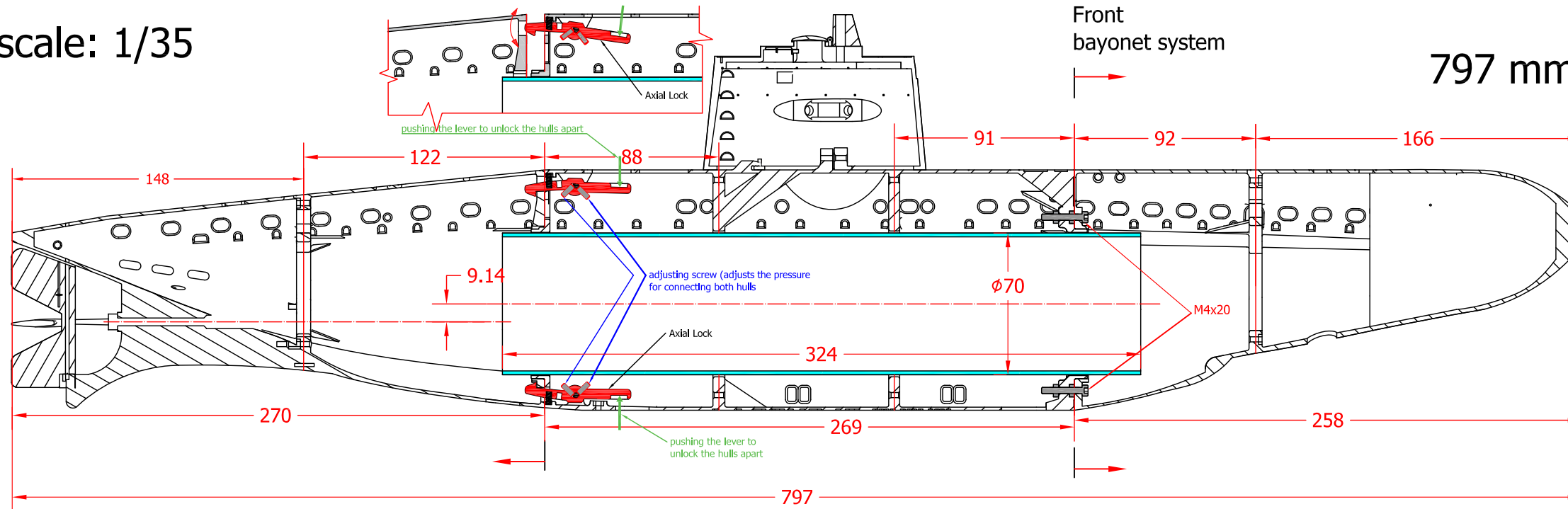


UB1
RC model

3D print www.rcsubs.cz

scale: 1/35



scale: 1/30

